

TRIDENT INDUSTRY FILTER WELL

Filter pits with pre-assembled Trident industry filter



PRODUCT DESCRIPTION

Trident filters are a highly efficient dynamic rainwater filter, ensuring that a maximum volume of water passes through the filter and into the tank. The filter acts as the first step in the rainwater treatment process and has the capability to reduce the overall lifetime cost of the entire rainwater harvesting system.

With a range of pre-tank filters and tank filters with skimmers, Trident filters are flexible to suit in almost any tank; improving tank life, reducing maintenance and capable of handling high volume harvesting needs.

- +90% Efficiency 700µm
- Rapid separation of waste and clean water
- Dirt resistant and large effective filter grid
- Automatic cleaning reduces maintenance required
- Ideal for rainwater harvesting

APPLICATION AREA

The Trident industry filter pits are intended to be installed underground. The Trident industry filters are suitable for filtering rain water from roofs of buildings with a roof surface up to 10,000 m² (based on 300 litres/sec/ha). The Trident industry filter is delivered ready made in a concrete pit. The filter pits come in traffic class B or D. The concrete filter pits are fitted with a round Trident tank manhole of 600 mm.

TECHNICAL DATA

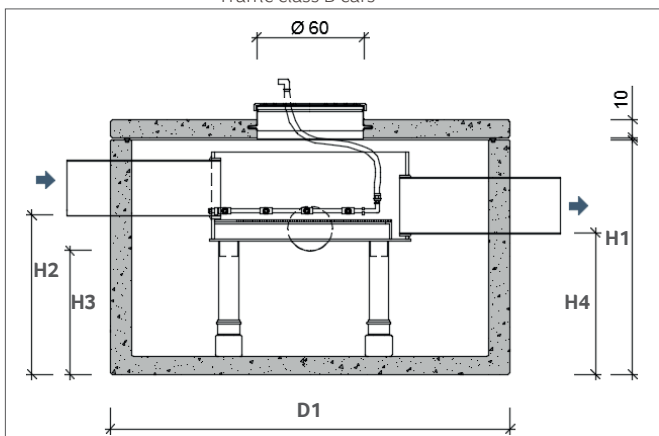
	Trident 2.000	Trident 3.000	Trident 6.000	Trident 10.000
Max. roof area in m ² :	2.000	3.000	6.000	10.000
Max. flow in liters / second:	60	90	180	300
Flow nozzles in liters / minute:	57	69	97	125
In & outlet in mm:	Ø 250	Ø 315	Ø 400	Ø 500
Exhaust clean water in mm:	Ø 200	Ø 250	Ø 315	Ø 400

DIMENSIONS

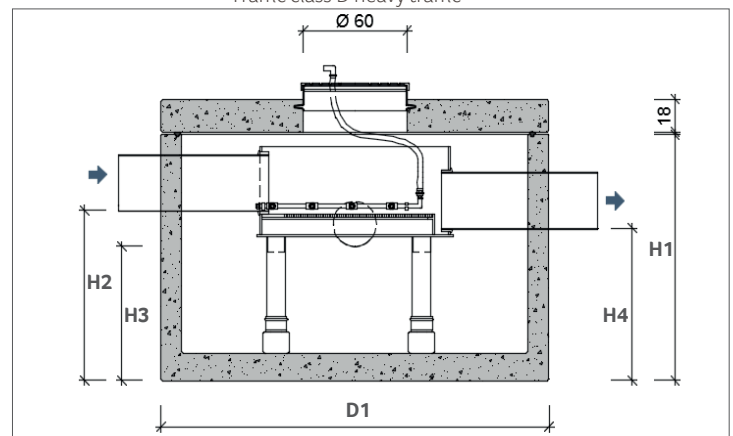
	Trident 2.000		Trident 3.000		Trident 6.000		Trident 10.000	
	Class B	Class D	Class B	Class D	Class B	Class D	Class B	Class D
D1 Diameter in cm:	Ø 214	Ø 224	Ø 214	Ø 224	Ø 214	Ø 224	Ø 264	Ø 274
H1 Height fairing in cm:	131	136	131	136	131	136	165	171
H2 Input to soil in cm:	93	98	89	94	75	80	78	86
H3 Filtered rainwater with respect to soil in cm:	73	78	69	74	55	60	49	57
H4 Output compared to soil in cm:	83	88	79	84	65	70	68	76
Height difference to the drain in mm:	101	101	101	101	101	101	101	101
Height cover plate class	10 cm	18 cm	10 cm	18 cm	10 cm	18 cm	10 cm	18 cm

TECHNICAL DRAWING

Traffic class B cars



Traffic class D heavy traffic



OPTIONS

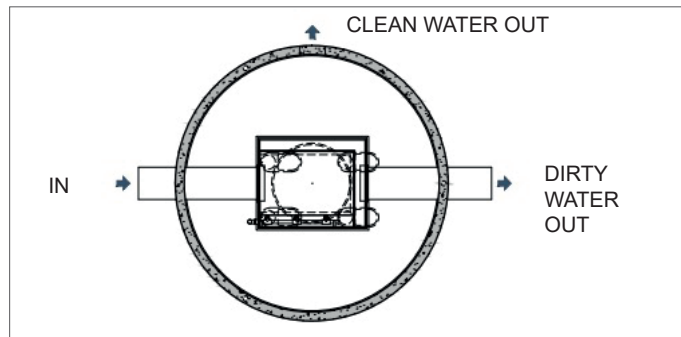
Automatic time-controlled filter cleaner 1/2 "

Time-controlled filter cleaner makes automatic filter cleaning possible. The nozzle sprays the filter surface at freely adjustable times clean.

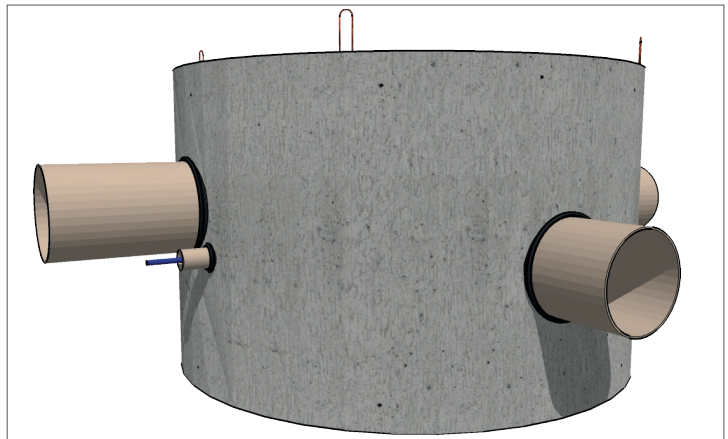
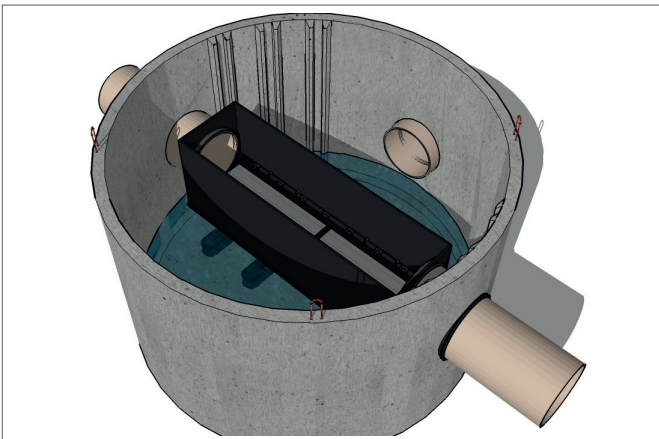
Connection set Trident filter bucket

The connection set consists of a pre-connected flexible hose with a 1" 3-piece connection. The 1" pipe from the building can be mounted to it directly. (see 1).

Wide range of covers available, see Varitank covers from GEP.



TECHNICAL OVERVIEW



DELIVERY

Product consists of: concrete pit with built-in Trident filter, cover plate fitted with manhole of 60 cm, centred. Cover plate shall be placed onto the tub on-site. Position of connection to filtered rain water can be chosen freely, if desired.

ORDER DETAILS

Art nr	NAAM	PG
401206	Trident 2.000 filter well including nozzles class B	4
401207	Trident 3.000 filter well including nozzles class B	4
401208	Trident 6.000 filter well including nozzles class B	4
401209	Trident 10.000 filter well including nozzles class B	4
401221	Trident 2.000 filter well including nozzles class D	4
401222	Trident 3.000 filter well including nozzles class D	4
401223	Trident 6.000 filter well including nozzles class D	4
401224	Trident 10.000 filter well including nozzles class D	4
401251	Automatic time-controlled filter cleaner 1"	2
401253	Connection set Trident filter tray	4

